

GLORRB

User Manual

Access the full usermanual



If you need help or for more details and troubleshooting, visit: www.glorb.me/pages/usermanual or scan the QR code on the right.

FR

Accédez au manuel d'utilisation en Français

Scannez le code QR à droite pour accéder au manuel d'utilisation complet, aux tutoriels, et pour obtenir de l'aide avec les détails et la résolution des problèmes.

ES

Accede al manual de usuario en Español

Escanea el código QR a la derecha para acceder al manual de usuario completo, a los tutoriales y para obtener ayuda con detalles y solución de problemas.

IT

Accedi al manuale utente in Italiano

Scansiona il codice QR a destra per accedere al manuale utente completo, ai tutorial e per assistenza con dettagli e risoluzione dei problemi.

DE

Zugriff auf das Benutzerhandbuch auf Deutsch

Scannen Sie den QR-Code rechts, um auf das vollständige Benutzerhandbuch, die Tutorials sowie Hilfe mit Details und Fehlerbehebung zuzugreifen.

NL

Toegang tot de handleiding in het Nederlands

Scan de QR-code rechts om toegang te krijgen tot de volledige handleiding, tutorials en voor hulp bij details en probleemoplossing.

We are SNRGY Studios - welcome to the community!

The GLORB in your hands marks the beginning of our journey as a startup and art/tech studio.

What drives us is our passion for art and light—bringing a new dimension of experience to everyday spaces, creating something fresh in a growing market, and most importantly, building a community of light-art enthusiasts to evolve with.

We see you as an extended part of our team. Your ideas, feedback, and vision are crucial in helping us push the boundaries of what's possible and focus on what's needed to create real impact. Together, we can craft the most beautiful and mind-blowing light-art products the world has ever seen—and ultimately make light-art as common and beloved as the framed painting on the wall.

So, join our Facebook and Discord communities, reach out, take part, and let's collaborate on what comes next.

**With love,
SNRGY Studios**



Facebook



Discord

Quick start guide

- 1 Unpack the box and check for any missing or damaged items.
 - 2 Place or hang the GLORB using the cable hook or table stand/ceiling cup.
 - 3 Plug the USB-C cable into the adapter, then connect the adapter to an outlet.
 - 4 The GLORB will automatically start a preset light animation as soon as it is plugged in. Voilà!
-

Pair Your GLORB with the SNRGY App

- 1 Scan the QR code to download the SNRGY App.
- 2 Enable Bluetooth and Wifi on your smartphone.
- 3 Open the app and let it automatically connect to the GLORB.
- 4 Scan QR code below and follow the tutorials on how to use the app.



Inside the box

1x The GLORB

1x USB-C power adapter

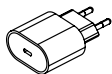
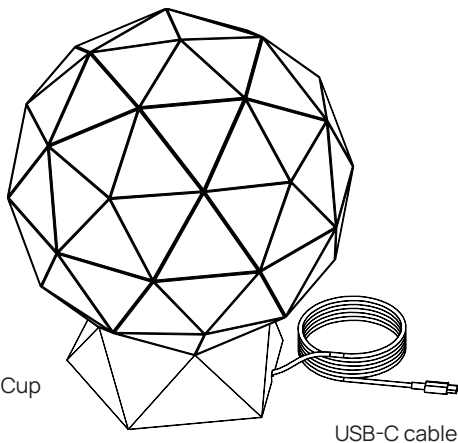
1x USB-C cable (Attached to The GLORB)

1x Cord screw & Nut

1x Table stand / Ceiling cup

1x Cable hook

The GLORB



USB-C adapter



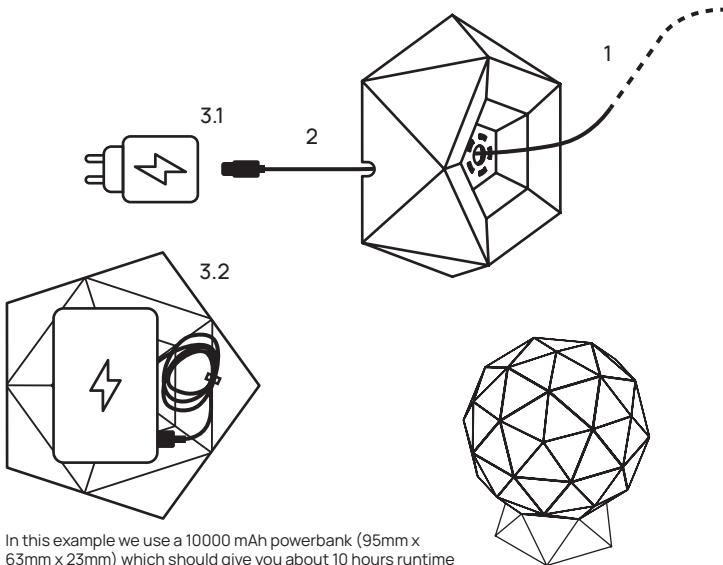
Cord screw & nut



Cable hook

How to use the table stand

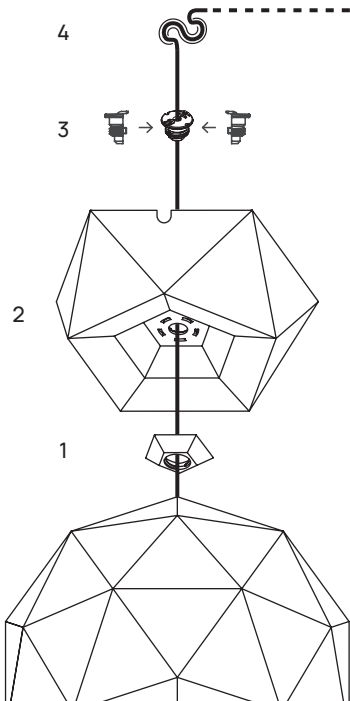
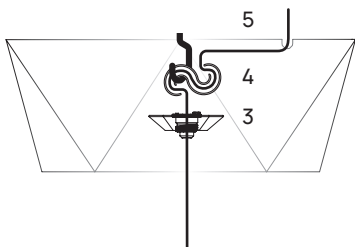
- 1 Thread the USB-C cable of the GLORB through the hole in the stand until the GLORB is securely positioned against the top of the stand
- 2 Make sure the USBC cable comes out of the designated cable hole on the side of the stand
- 3 3.1 If using a power outlet: Connect the cable to the power adapter, then plug the adapter into the outlet.
3.2 If using a power bank: Connect the cable to the power bank, coil the cable, and use the Velcro strap to secure any excess length.



In this example we use a 10000 mAh powerbank (95mm x 63mm x 23mm) which should give about 10 hours runtime

How to use the ceiling cup

- 1 Thread the pentagon-shaped nut onto the USB-C cable, with the pentagon facing the GLOBE.
- 2 Pass the USB-C cable through the hole in the ceiling cup.
- 3 Attach the two halves of the cord screw and push it through the ceiling cup hole, then twist the pentagon-shaped nut onto the cord screw from the other side of the ceiling cup, securing the ceiling cup on the USB-C cable.
- 4 Attach the cable hook to the ceiling screw to support the GLOBE's weight. Once you're happy with the cable length, pull the ceiling cup up towards the ceiling. Use the velcro strap to store any excess cable inside the cup.
- 5 Direct the cable through the side hole of the ceiling cup and connect it to a power source.



Troubleshooting

GLOBR does not turn on	Check power connection and outlet
The LED's flicker	Make sure you are using a 3A power source
App not working correctly	Restart/Update the app Restart your phone Reinstall the app
Connection issues	Ensure WiFi and Bluetooth are enabled
Wifi not working	Restart WiFi / Restart phone
Bluetooth not connecting	Restart Bluetooth / Restart phone
Wifi not connecting	Make sure to be on the same Wifi Verify that the WiFi network is functional and in range Ensure the Wifi network is 2.4GHz Restart your router and the device



12-Month limited warranty

Your GLOBR comes with a one-year limited warranty covering hardware defects. Please retain your receipt for warranty claims.



Do not open or modify The GLOBR

Opening the GLOBR without our assistance may void the warranty. Please reach out with your issue so we can help.



Customer service

If troubleshooting did not resolve the issue, please reach out to us and we will gladly assist you further.

Email:

suport@glorb.me

Official website:

www.glorb.me

Safety information

Please review these instructions thoroughly before using your GLOBR to ensure safe and effective operation.



For indoor use

The GLOBR is designed for indoor use.



Water resistant / Not water proof

The GLOBR is designed to withstand some exposure to water and moisture, but this does not include the power supply and its connections. Ensure the power source remains protected from water and moisture.



Keep away from major heat sources

The GLOBR is made of plastic. If exposed to sunlight for a long time it can get yellow in colour, if exposed to heat the GLOBR can lose its shape. If exposed to extreme heat it will melt and/or catch fire.



Power source

Use only the provided power adapter any other 5V, 3A USB-C power adapter or powersource (such as powerbank).



Do not disassemble or modify

While possible we do not recommend opening the GLOBR without our assistance, as doing so may void the warranty.



Handle as fragile

Remember, the GLOBR is a delicate product and should be handled with care. Handle it as if it was glassware.



Do not use if the power cord or plug is damaged

If damaged contact us for next steps.

FCC Warning

This device complies with part 15 of the FCC rules.
Operation is subject to the following two conditions:

- (1) this device may not cause harmful interference, and
- (2) this device must accept any interference received, including interference that may cause undesired operation.

Changes or modifications not expressly approved by the party responsible for compliance could void the user's authority to operate the equipment.

NOTE

This equipment has been tested and found to comply with the limits for a Class B digital device, pursuant to part 15 of the FCC Rules. These limits are designed to provide reasonable protection against harmful interference in a residential installation. This equipment generates, uses and can radiate radio frequency energy and, if not installed and used in accordance with the instructions, may cause harmful interference to radio communications. However, there is no guarantee that interference will not occur in a particular installation. If this equipment does cause harmful interference to radio or television reception, which can be determined by turning the equipment off and on, the user is encouraged to try to correct the interference by one or more of the following measures:

- Reorient or relocate the receiving antenna.
- Increase the separation between the equipment and receiver.
- Connect the equipment into an outlet on a circuit different from that to which the receiver is connected.
- Consult the dealer or an experienced radio/TV technician for help.

Radiation Exposure Statement

This equipment complies with FCC radiation exposure limits set forth for an uncontrolled environment. This equipment should be installed and operated with minimum distance 20cm between the radiator and your body.

CE Declaration of Conformity

This product conforms to the essential requirements of the relevant European health, safety, and environmental protection legislation. For more detailed information and the full Declaration of Conformity, please contact the manufacturer.



Find more info at:
www.glorb.me/statement

Technical specifications

Light source	80 RGB LEDs
Light output	Approx 700 lumen
Power source	5V 3A USB-C adapter
Power consumption	12W Max 3-4W running animations < 1W Standby
Connectivity	WiFi & Bluetooth
Size	250mm / 9.84" Ø
Weight	Approx 900g / 2 lbs
Mounting	Standing or hanging
Material	ABS and PC plastic
LED lifetime	Estimated 50.000h



Product Name: GLORB

Product Code: GL01C25WH1

Manual Version: 1.0